



GRAPHIC PRODUCTS, INC.
Tools for the Art of Framing

MAT CUTTING EQUIPMENT & ACCESSORIES

www.logangraphic.com

1-800-331-6232

Guide to Features

Logan Graphic Products, Inc. offers the most complete, most comprehensive mat cutting equipment line in the world. Each cutting tool offers a unique blend of features. Find the one that's right for you below, then learn more about it inside this catalog:

Model #	4000 Deluxe Pull Style	3000 Pull Style	2000 Push Style	1100 Free Style	524 Adapt-A-Rule Pull Style	540 Adapt-A-Rule	560 Adapt-A-Rule	424 Team System	440 Team System	500 Mat Knife	701 Straight Cutter	704 Glass Cutter	525 Mat Cutting Kit	1500 Foamboard Kit	700-S Foamboard Cutter	250 Craft & Hobby	301-S Compact	450 Intermediate+	750 Simplex+	760 SimplexPlus	650 SimplexPlus	655 Framer's Edge	660 Framer's Edge	660 Framer's Edge		
Page #	4	4	4	4	5	5	5	5	5	5	12	12	12	11	10	10	12	11	6	6	7	7	7	8	8	8
Movable Blade Action		X	X	X					X	X				X			X	X	X	X	X	X	X	X	X	X
Cut Direction		pull-push	push	pull	pull				push	push	pull	pull	pull	pull	push	pull-push	push	pull	push	push	pull	pull	pull	pull	pull	pull
Measuring System					X	X	X		X	X			X	X			X	X	X	X	X	X	X	X	X	X
Overcut Control		X	X	X					X	X		X		X			X	X	X	X	X	X	X	X	X	X
Blade Slot		X	X	X					X	X				X			X	X	X	X	X	X				
Guided					X	X	X	X	X	X				X			X	X	X	X	X	X	X	X	X	X
Matguide																	X		X	X	X	X	X	X	X	X
Hinged Rail																	X			X	X	X	X	X	X	X
Cutting Stops																	X			X	X	X	X	X	X	X
Squaring																	X	X		X	X	X	X	X	X	X
Straight Cutting											X	X				X	X	X	X	X	X	X	X	X	X	X
Bevel Cutting		X	X	X	X				X	X				X	X	X	X	X	X	X	X	X	X	X	X	X
Volume Cutting																					X	X	X	X	X	X
Accessory						X	X	X			X	X														
Base Thickness (in)																										
Capacity (in)						24	40	60	24	40				23	24											
Dimensions (in)						2x24	2x40	2x60	2x24	2x40																
Weight (lb)		1	1	1	1	1	1	2	1	1	1	1	1	2	3	2	1	11	7	9	15	17	25	29	36	43

Table of Contents

Handheld Mat Cutters.....4
Straight Edges5
Board Mounted Mat Cutters6
V-Groovers9
Kits10
Specialty Cutters11

Accessories12
Books & Videos.....13
Pre-Cut Mats14
Blades.....15
About Logan Graphics Products16

Craft & Hobby Cutter

Logan 250

See page 6



Push Style Handheld Mat Cutter

Logan 2000

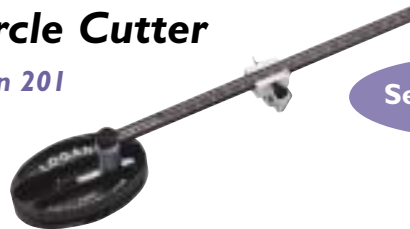
See page 4



Oval & Circle Cutter

Logan 201

See page 11



Compact Mat Cutter

Logan 301-S

See page 6



SimplexPlus Mat Cutter

Logan 750

See page 7



Did You Know??

No Experience Necessary.

Contrary to popular belief, there are no rules for how an object should be matted. Your personal tastes – not a background in art – define how you should cut and decorate a mat. Express yourself!

It's Easier Than They Want You To Think It Is.

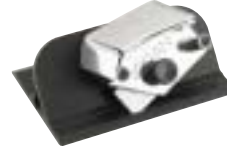
Basic mat cutting requires nothing more than a ruler, a pencil, a little math, and a mat cutter. It's that simple. Mat cutting equipment will unleash creative freedom you probably didn't know you had in you. And the equipment will pay for itself after just a few mats.

Quality At Every Price Point.

All Logan mat cutters produce high quality cuts when properly used. Need assistance selecting a mat cutter or finding a retailer near you? Call us toll-free (800-331-6232) or visit our web site (www.logangraphic.com) for guidance.

Handheld Mat Cutters

Logan Handheld Mat Cutters are the most economical way to cut mats with professional results. Produce perfect bevel cuts using any straight edge (a ruler, T-square, etc.). For easier operation, models 2000, 3000, and 4000 can be used with Logan Adapt-A-Rule.



Model Name

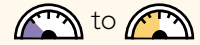
**Logan 1100
FreeStyle**

**Logan 2000
Push Style**

**Logan 3000
Pull Style**

**Logan 4000
Deluxe
Pull Style**

Usage/level



Price

\$10-\$20

\$20-\$30

\$30-\$40

\$40-\$50

Blade action

fixed

retractable

pivot

pivot

Cutting direction

push or pull

push

pull

pull

Start/stop indicator
to control overcuts

no

yes

yes

yes

Patented blade slot
for straighter cuts

no

yes

yes

yes

Can be used with
Adapt-A-Rule

no

yes

yes

yes

Ergonomic handle

no

no

yes

yes

Marker bar system
for faster marking

no

no

no

yes

Replacement blade

Logan 324

Logan 270

Logan 270

Logan 270

Color

red or silver

black

black

black

*Ideal for students,
first time users*

*Accuracy on
a budget*

*Ergonomic handle
for comfort*

*Logan quality
since 1974*



Light usage



Medium usage



High usage

Straight Edges

Adapt-A-Rule

Attach your Logan Handheld Mat Cutter*, Straight Cutter, Glass Cutter, or Mat Knife to an Adapt-A-Rule cutting guide and enjoy straighter, faster, more accurate cuts. The 24" and 40" models include a non-slip rubberized base and US or metric ruled guides. The unruled 60" model includes a C-clamp. All models include an Upgrade Kit allowing modification of your Logan Handheld Mat Cutter*.

- Logan 524** 24"
- Logan 540** 40"
- Logan 560** unruled 60" with C-clamp

* Models 2000, 3000, and 4000 only.

Team System

Get it all at once. This practical combo system includes a 24" or 40" straight edge and a Logan Handheld Mat Cutter for accurate, high quality mat cutting. Just mark your borders using the ruled straight edge, attach the cutting head, and cut from line to line. All models include a non-slip rubberized base, US or metric ruled straight edge, and a Logan Handheld Mat Cutter. Can also be used with Logan Glass Cutter or Straight Cutter.

- Logan 424** 24" with Logan 2000 Push Style Handheld Mat Cutter
- Logan 440** 40" with Logan 2000 Push Style Handheld Mat Cutter

Did You Know??

Logan products are proudly Made In The USA. Our extensive product line offers something for everyone, from weekend crafters and hobbyists to artists and professional framers. We offer the most complete and comprehensive mat cutting product line in the world including the world's most popular mat cutter, the Logan Compact 301-S (see page 6 for more information).

Board Mounted Mat Cutters

The Craft & Hobby, Compact, Intermediate and Simplex machines are board mounted mat cutters. Fixed guide rails precisely guide cutting heads. Measuring stops allow easy dimensioning.

Model name	Logan 250 Craft & Hobby	Logan 301-S Compact	Logan 450 Intermediate+	Logan 700-S Simplex Studio	Logan 750 Simplex Plus	Logan 650 Framer's Edge
page	6	6	7	11	7	8
usage/level	light	light	medium	medium	high	high
size	24"	32"	40"	20"	40" or 60"	40", 48", 60"
squaring	yes	no	yes	yes	27 "	27 "
max. border	4 ¹ / ₈ "	4 ¹ / ₄ "	4 ¹ / ₄ "	5"	5 ¹ / ₂ "	5 ¹ / ₄ "
parallel mat guide	no	yes	yes	yes	yes	yes
production stops	no	no	yes	yes	yes	yes
surface	vinyl	vinyl	vinyl	vinyl	laminated	laminated

Craft & Hobby Cutter

24" mat cutting board provides the do-it-yourself oriented customer all the tools needed to enjoy professional results quickly and easily. Includes straight edge, squaring T-bars, bevel cutting head (Logan 2000), Logan 500 Mat Knife for straight cuts, measuring scale, five extra blades, and creative cutting guide. Small enough to fit in a school backpack, the Craft & Hobby Cutter is the most economical board mounted mat cutter ever produced.

Logan 250

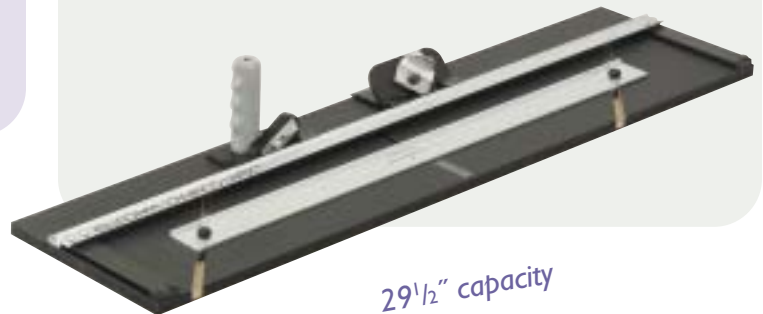


23" capacity

Compact

Versatile, portable 32" mat cutter provides affordable and professional results. Open ended guide rail allows bevel cuts in matboards of any size. Downsize matboard up to 29¹/₂". Includes parallel mat guide for setting border widths from ³/₄" to 4¹/₄", safety lock to keep mat guide secure during cutting, spring loaded, serrated aluminum guide rail, five extra blades, and a fully illustrated matting instruction guide. Includes bevel and straight cutting heads.

Logan 301-S



29¹/₂" capacity



Board Mounted Mat Cutters



Straight Cutting Head

- ❑ 3 blade settings (safety, matboard, foamboard)
- ❑ larger, ergonomic, comfortable handle
- ❑ “start” and “stop” indicator
- ❑ safety blade cover
- ❑ uses Logan 270 blade

Bevel Cutting Head

(Craft & Hobby, Compact)

- ❑ “start” and “stop” indicator
- ❑ push style blade action
- ❑ retractable blade holder
- ❑ adjustable blade depth
- ❑ patented blade slot
- ❑ uses Logan 270 blade



Bevel Cutting Head

(Intermediate, SimplexPlus)

- ❑ “start” and “stop” indicator
- ❑ high performance pivot-and-pull blade action
- ❑ adjustable blade depth
- ❑ anti-crawl button prevents “creep”
- ❑ patented blade slot
- ❑ uses Logan 270 blade



Intermediate+

An economical, all purpose, 40” mat cutting system capable of cutting full 32”x 40” sheet of matboard. Includes parallel mat guide for setting border widths up to 4 1/4”, 90-degree squaring bar for true corners, straight cutting head, bevel cutting head, and production stop. Designed for artists, photographers, crafters and framers. Includes creative matting instructions and five extra blades.

- ❑ **Logan 450**



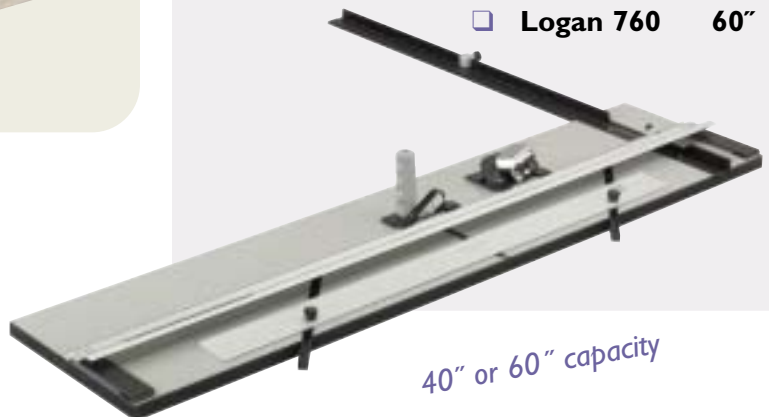
40” capacity

SimplexPlus to

PROFESSIONAL MAT CUTTING SYSTEM

Provides the quality and ease of use of a professional mat cutter at a fraction of the price. Features include dual guide rail stops for fast production mat cutting, a 27” squaring arm for easy material downsizing, parallel mat guide for setting border widths up to 5 1/2”, durable laminated surface, straight cutting head, and bevel cutting head. Also available in a 60” model. Includes creative matting instructions and five extra blades.

- ❑ **Logan 750** 40”
- ❑ **Logan 760** 60”



40” or 60” capacity

Professional Mat Cutting System

Framer's Edge

Heavy-duty construction, rich features, and an attractive look make the Framer's Edge the preferred system for framers and serious artists. Handles high production mat cutting as well as small projects. A non-stick coated cutting bar provides smooth cutting and needs no lubrication. Parallel mat guide slides smoothly in aluminum channels and enables quick, accurate border measurements up to 5 1/4". A fully scaled 27" squaring arm plus a flush mount squaring bar for use in limited workspace hold mats perfectly square. Base is 3/4" composite board surfaced with durable, easy to clean laminate. Includes production stops, 10 extra blades, dual straight & bevel cutting heads, and fully illustrated mat cutting manual.

- Logan 650** 40"
- Logan 655** 48"
- Logan 660** 60"



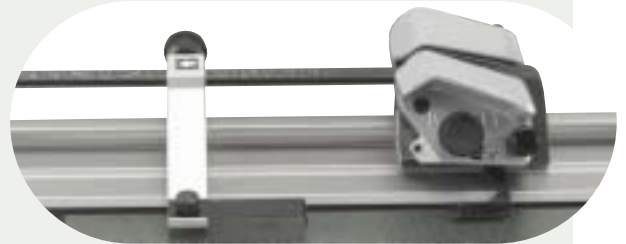
for framers and serious artists

Bevel Cutting Head

- "start" and "stop" indicator
- 8" movable production stop lets you cut all sides without readjusting stops or marking mat
- comfortable ergonomic handle
- uses Logan 269 blade (268 for 8-ply cutting)

Straight Cutting Head

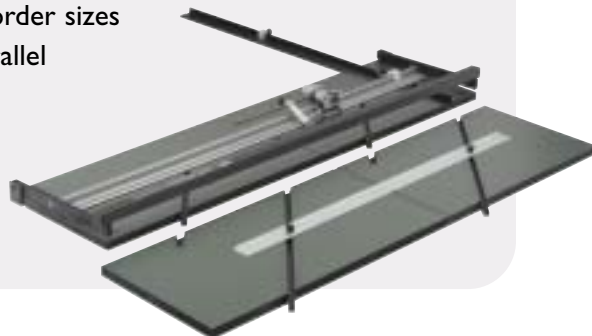
- automatic lock-down pin holds blade in cutting position
- comfortable ergonomic handle
- 3 position depth adjustment
- uses Logan 269 blade



Framer's Edge Extension Board

Need to make multiple openings or work with oversized matboards? This laminated extension board mounts easily to Logan 650, 655, and 660 Framer's Edge mat cutting systems. Allows border sizes up to 17" using parallel mat guide.

- Logan 708**



Did You Know??

Need more information? Seeking suggestions on what Logan product best addresses your needs? Visit us online at www.logangraphic.com for product manuals, new product announcements, Logan mat cutting demonstration locations, and mat cutting tips. Or contact Logan Customer Service toll-free (M-F 8:00am - 5:00pm CT):

(800) 331-6232



V-Groovers



V-Groovers cut beautiful, decorative grooves in the surface of mats, exposing the color of the inside of the matboard itself. Because Logan V-Groovers cut from the surface, no trimming, taping or marking is required. Our unique push-pull design allows straight and diagonal cuts. Groove width is adjustable from $\frac{1}{32}$ " to $\frac{5}{64}$ ". Durable, all metal construction. For use with mounted mat cutting systems.

All models include: V-Groove stop, creative V-Grooving guide, and six extra blades. Uses Logan 1258 blade.

Simplex V-Groover

Patented groover cuts accurately in just a few seconds. Saves time by cutting only the surface of the mat (no taping required). Works in conjunction with all Logan 700 series board mounted mat cutting systems.

❑ **Logan 703**



Compact V-Groover Adapter

Quickly adapt your Logan 703 Simplex V-Groover for use on Logan 301-S or 450 series board mounted mat cutting systems.

❑ **Logan 303**



Logan V-Groover

Works with production stops on Logan professional mat cutting systems, including Logan 310, 350, 600, 650, 655 and 660.

❑ **Logan 705**



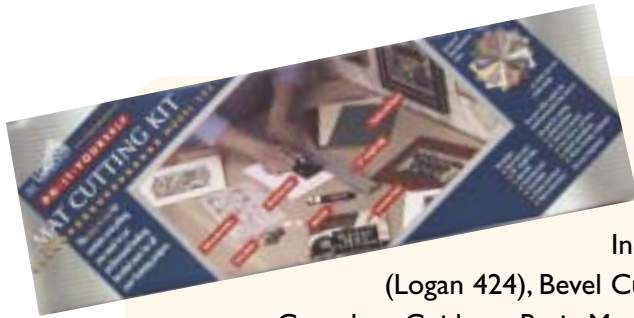
Universal V-Groover

For use with production stops on most professional mat cutters using a $\frac{5}{8}$ " thick cutting bar rod, including most Fletcher® 2000/2100 and C&H® Advantage Pro. Includes guide rail stop.

❑ **Logan 706**



Logan 703 V-Groover shown in use on a Logan 750 SimplexPlus



Mat Cutting Kit

This kit includes everything you need to cut great mats.

Includes accurate light-duty equipment: 24" Team System

(Logan 424), Bevel Cutting Head (Logan 302), Mat Knife (Logan 500), 64-page

Complete Guide to Basic Mat Cutting book (Logan 238), ten replacement blades (Logan 270), ten pieces of practice 8x10 matboard (various colors), one sheet of decorative corner transfers, and instructions.

❑ **Logan 525**

great gift for first time users



Mat Decoration Kit

Take matting to another level with this complete kit for decorating pre-cut mats.

Includes: Freestyle Handheld Mat Cutter (Logan 1100), 64-page Basic Guide to Mat Decoration book (Logan 240), five pieces of practice matboard, decorative

transfers, ruling pen and ink, hobby knife, replacement blades, metallic paper, colored ribbon, gum eraser and #2 pencil.

❑ **Logan 526**

add personality to your mats



Specialty Cutters

3-Step Oval & Circle Mat Cutter to (any level)

Patented 3-step mechanism is fast, portable, very easy to use, and costs hundreds less than comparable oval cutters. Cuts perfect bevel openings without connecting to any other equipment.

Cut single, double, or even triple mats. Adjusts from oval to circle cutter with a simple twist of the knob. Cut ovals from $3\frac{1}{4}'' \times 4\frac{3}{4}''$ to $20'' \times 23''$ and circles from $4\frac{1}{2}''$ to $20''$ diameter. Maximum difference

between oval width and oval height is $3''$. Includes creative matting instructions and five extra blades. Uses Logan 324 blade.

Logan 201



3-step depth mechanism = smooth, accurate bevel cuts every time

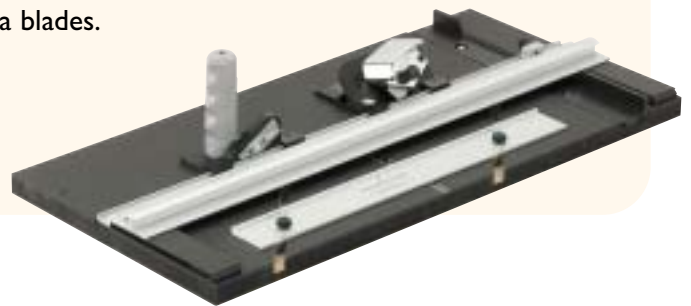


Simplex Studio

Easy to operate $20''$ mat cutting system designed specifically for photographers. Handles matboard up to $16'' \times 20''$. Small $12'' \times 23''$ system doesn't require much space—perfect for small studios. Includes parallel mat guide for setting border widths up to $5''$, 90 -degree squaring bar, one production stop, straight cutting head, and bevel cutting head.

Includes creative matting instructions and five extra blades.

Logan 700-S **$20''$ photographer's board mounted mat cutting system**



photographer's $20''$ capacity

Accessories

Mat Knife

For straight cutting matboard down to size. Use with any suitable straight edge, including Logan Adapt-A-Rule, Logan Team System, and most Logan board mounted cutters. Three depth settings: safety, single sheet, and double thick. Includes three extra blades. Uses Logan 270 blade.

- ❑ **Logan 500**

handheld
straight cutting



Straight Cutter

Pull type 90-degree straight cutter has comfortable 3" ergonomic handle. Use with any suitable straight edge. Three depth settings: safety, single sheet, and $\frac{3}{16}$ " foamboard. Can instantly add on to Logan Adapt-A-Rule, Logan Team System, Logan Compact, Logan Intermediate+, and Logan SimplexPlus. Includes five replacement blades. Uses Logan 270 blade.

- ❑ **Logan 701**



cut matboard
& foamboard

Glass Cutter

Pull type 90-degree glass cutter has comfortable 3" ergonomic handle. Use with any suitable straight edge. Includes one glass cutting wheel, nylon guides and screws to instantly add on to Logan Adapt-A-Rule, Logan Team System, Logan Compact, Logan

Intermediate+, and Logan SimplexPlus. Uses Logan 786 glass cutting wheel.

- ❑ **Logan 704**



cut glass

Foamboard Cutter

Push style, reversible fixed blade foamboard cutter can be used with any suitable straight edge. Cuts 90-degree and 45-degree bevel with an adjustable blade depth of $\frac{1}{8}$ ", $\frac{3}{16}$ ", and $\frac{3}{8}$ ". Includes three extra blades. Uses Logan 492 blade.

- ❑ **Logan 1500**



great for
architectural work

Dust Cover

Black vinyl dust cover protects any 40" Logan mat cutter from dirt and dust particles. Highly recommended by professionals to preserve equipment integrity.

- ❑ **Logan 236**



for any 40"
Logan mat cutter



Books and videos developed exclusively for Logan by author, demonstrator and nationally known Certified Professional Framer, Vivian C. Kistler.



How To Cut Mats

Video demonstrates how to easily cut single mats, double mats, offset corners, ovals, and v-grooves. 35 minutes, VHS or PAL format.

☐ **Logan 237**

how-to video

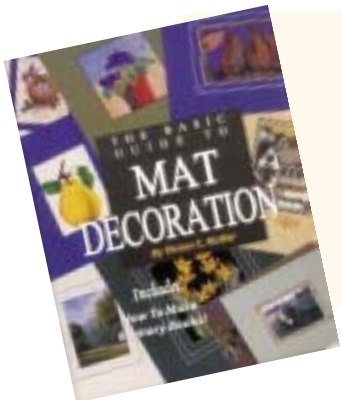


Complete Guide to Basic Mat Cutting

This instructional book provides insight into color choice, layout, design and technique. Includes pictures and illustrations demonstrating how to cut using Logan equipment. Useful for mat cutters at all levels. 64 pages.

☐ **Logan 238**

learn the basics of mat cutting



Basic Guide to Mat Decoration

Take matting to the next level! Book includes hundreds of tips and ideas for decorating mats, including: rub-on transfer designs, painting bevels, color panels, woven ribbon mats, and shadow boxes. 64 pages.

☐ **Logan 240**

learn creative matting



Do-It-Yourself Picture Framing

With a little practice and the right tools, crafters can make attractive framed pieces at home. Book includes step-by-step illustrated instructions for designing framing, cutting mats, choosing frames & equipment, and framing photographs, needlework, paintings, drawings & art prints. 64 pages.

☐ **Logan 241**

learn picture framing

Pre-Cut Mats

The Palettes Collection

The Logan Palettes Collection offers pre-cut beveled mats in dozens of colors, sizes, materials, and styles. Palettes pre-cut mats are made from the highest quality 100% buffered-acid free matboard. Available as bulk or shrink wrap with insert. Private label and custom programs available. Efficient merchandising displays are also available to help maximize sales and manage inventory.



- Trend Colors
- Linens
- Metals
- Black Cores
- V-Grooves
- Photo & Gallery



Logan Palettes pre-cut mat literature is available for qualified dealers. Please call (800) 331-6232 for more information.

The catalog includes colors, line drawings, model numbers, and pricing information.

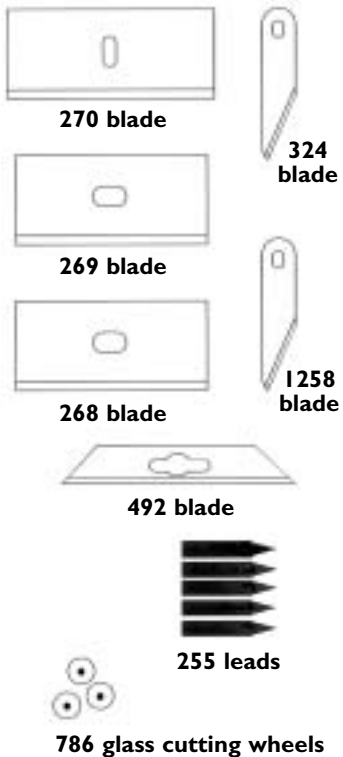
Can't wait for a catalog to be delivered?

Learn more about the Palettes line at www.logangraphic.com today.



Replacement Blades

The best way to cut a great mat is with a sharp blade. Logan replacement blades are the only blades specifically sharpened to give a professional finished edge to a mat. Always use Logan replacement blades in your cutter for outstanding results.



MODEL	QTY	DESCRIPTION	FITS
Logan 270-100	100	Blister Card Plastic Box (20 packs of 5 each)	250, 301, 301-S, 401, 450, 424, 440, 500, 525,
Logan 270-50	50	Blister Card Plastic Box (10 packs of 5 each) – includes partition for storing old and new blades	700-S, 701, 750, 2000, 3000, 4000
Logan 270-10	10	Blister Card Pack	
Logan 269-100	100	Box (20 packs of 5 each)	650, 655, 660
Logan 268-100	100	Box (20 packs of 5 each)	650, 655, 660
Logan 324-20	20	Blister Card Pack	201, 1100
Logan 324-5	5	Blister Card Pack	
Logan 492-5	5	Blister Card Pack	1500
Logan 1258-20	20	Blister Card Pack	703, 705, 706
Logan 786	3	Glass Cutter Wheels	704
Logan 255	5	2H Pencil Leads for Logan 4000 Deluxe	4000

The Logan Warranty: Best in the Business!

Logan Graphic Products, Inc. (“Logan”) warrants all equipment to be free from defects in parts and workmanship for a period of one to two years (see list below) from the date of original purchase. Logan warrants that it will either repair or replace, at its sole discretion, any necessary replacement parts found to be defective. Should the original product need to be returned to Logan for repair or replacement parts, authorization for any return must come from Logan in writing. Costs of returning the product to Logan, including insurances, shall be borne by the purchaser. Logan shall not be liable for any damages or losses, incidental or consequential, direct or indirect, arising from the use of this product. This warranty extends only to the original purchaser and is not assignable or transferable. This warranty is in lieu of all other warranties, expressed or implied.

HANDHELD MAT CUTTERS & ACCESSORIES – 1 YEAR

BOARD MOUNTED MAT CUTTERS – 2 YEARS

What We Offer

Logan Graphic Products, Inc. is the recognized industry leader offering the largest, most comprehensive line of mat cutting equipment and accessories. The Logan product line offers solutions for light usage (crafters & hobbyists), all purpose (artists & photographers), and heavy-duty production (professional framers).

Defining Industry Standards

For over 25 years Logan has led the industry in innovation and design. Logan created the first oval and circle mat cutter as well as the “push-pull” surface v-groover. Creative design features first pioneered by Logan include the squaring arm, blade depth stop, parallel mat guide, and production stops. Many have tried to duplicate our innovative design features, but none have matched our combination of reliable features at an affordable cost.

Who We Are

Logan has been family owned and operated since 1974. Our products are designed and manufactured in our original and now expanded Chicago facility. Logan has a heritage of producing the finest mat cutting tools in the world and today can be found in over 50 countries.

How To Buy

Logan does not sell directly to the public. Logan products are carried by hundreds of authorized Logan dealers worldwide including art supply stores, craft and hobby stores, and photography supply shops. You can find your local dealer by visiting our web site at www.logangraphic.com or by calling our customer service staff toll-free (800-331-6232, M-F, 8:00am-5:00pm CT).



Logan Graphic Products, Inc.
1100 Brown Street
Wauconda, Illinois 60084 USA
phone: (800) 331-6232 / (847) 526-5515
fax: (800) 331-6329 / (847) 526-5155
info@logangraphic.com
www.logangraphic.com